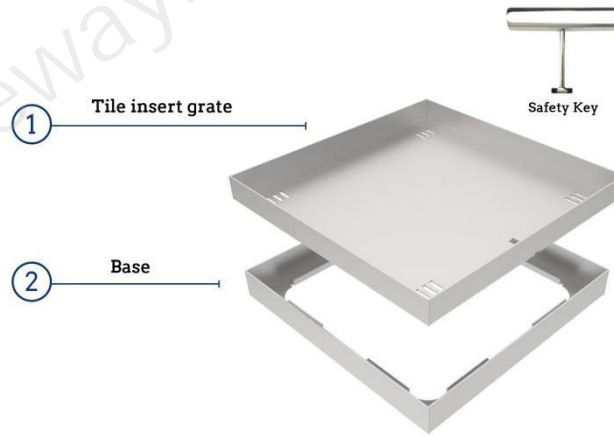
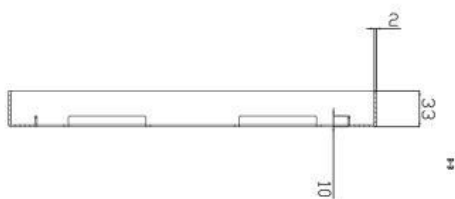
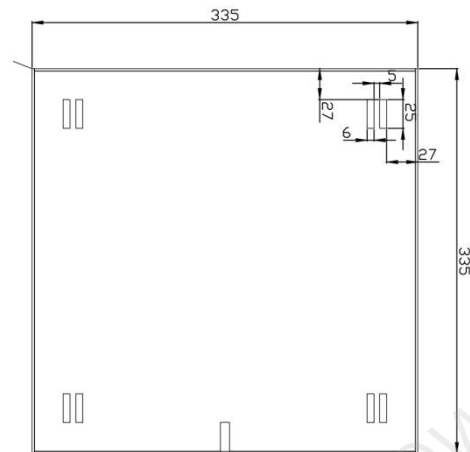
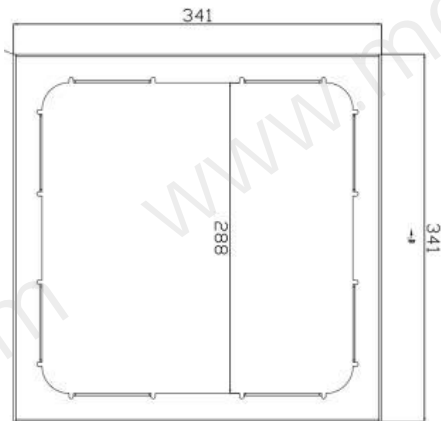


# SKIMMER COVERS



Available as a 13.42"(341mm) square cover to suit existing skimmer boxes. Each cover is available in a range of depths to suit most landscape materials. These range from 1.1"(28mm) to 1.18"(30mm)

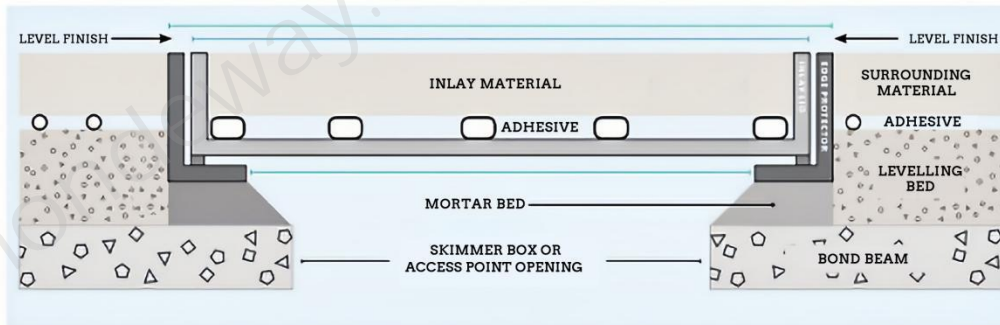
Additionally, any Mondeway Skimmer Cover may also be used as an access cover.



# SKIMMER KIT SERIES

## SKIMMER LID AND ACCESS COVERS

CROSS SECTION VIEW OF COMPLETED SKIMMER LID INSTALL



### Products details:

- |                                  |                                  |
|----------------------------------|----------------------------------|
| ✧ Skimmer Lid Kit 120mm          | ✧ Skimmer Lid Kit 341mm          |
| ✧ SS304/SS316 Stainless steel    | ✧ SS304/SS316 Stainless steel    |
| ✧ 10 year warranty               | ✧ 10 year warranty               |
| ✧ Select your own inlay          | ✧ Select your own inlay          |
| ✧ New or existing pools          | ✧ New or existing pools          |
| ✧ Inlay install Instructions     | ✧ Inlay install Instructions     |
| ✧ Flush finish                   | ✧ Flush finish                   |
| ✧ Swimming pool safety compliant | ✧ Swimming pool safety compliant |

### A QUICK INITIATION

#### 1. Safety Key

A stainless steel tool to enable the installed Mondeway lid to be safely and easily opened/closed.

#### 2. Height Adjuster

Used only when additional height is required. Provides 2mm extra height if Inlay material is not thick enough to achieve a flush finish with the top of the Inlay lid.

#### 3. Inlay Lid

A stainless steel tray which holds the Inlay (landscape) materials you've chosen e.g. tile, paver, concrete, decking, etc.

#### 4. Edge Protector

A stainless steel frame inserted into a recess within the landscaped area. It protects the coping/surrounds from chipping/breakage when the inlay lid is opened/closed.

#### 5. Adhesive(option)

#### 6. Documents

Contractor installation instructions, home owner information and warranty.

## Highlights:



### EASY USE

Other landscape cover options can be awkward maneuver, hard to remove, or both. In comparison, Mondeway covers are compact, and super easy to remove.



### POOL SAFE

Mondeway lids are 100% pool safety compliant. But other Skimmer Covers can often leave you high and dry.



### ELEGANT FINISH

A totally integrated + flush finish means the HIDE cover is essentially invisible.



### HIGH GRADE

Some alternative landscape cover options may become brittle and unstable due to sun damage, others may simply be easily broken, meaning regular replacement headaches for the homeowner.

Mondeway skimmer kit components are all manufactured from alternative SS304/SS316 marine grade stainless steel, creating a durable, long-lasting product with a 10 year warranty.



### SET + FORGET

The high-quality materials used to manufacture products also ensures maintenance is a breeze – only requiring occasional attendance by the homeowner, at little to no time or cost.

Mondeway covers can be fitted with most types of landscaping materials, including concrete, timber decking, stone pavers and tiles as thin as 1.1". Depending on where the product is to be installed, it may run across two different types of landscaping materials. Similarly, it may need to be inserted where grout lines are present, or fitted with an intricate tile pattern.

That's totally fine! With a little extra care, our product can be installed with a minimum of fuss so it's virtually invisible.